



ME-160

Mechanical Engineering Drawing

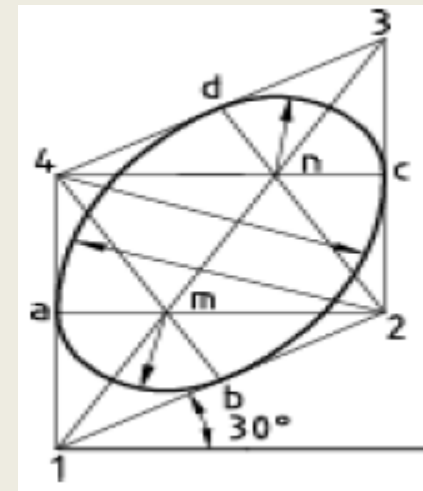
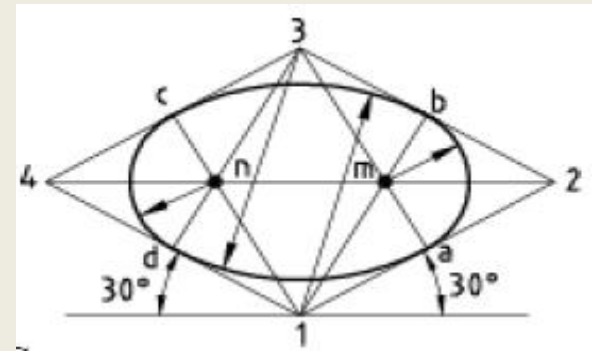
Isometric Views(with Holes)

Prepared By:
Musanna Galib
Md. Rakib Hossain

Course Teachers:
Dr. Mohammad Nasim Hasan
Musanna Galib
Md. Rakib Hossain

How to draw :

- **4-Center Method (for circle):** 4-Centre method is used to draw an **ellipse** in isometric for a circle.
- **Step 1:** Construct the **rhombus** in isometric using **circle diameter** as sides.
- **Step 2:** Draw arcs using 4-centres *m, n, 1 and 3* with *radius* shown fig.
- **Step 3:** For isometric projection, isometric scale is used to draw the rhombus.



Lines

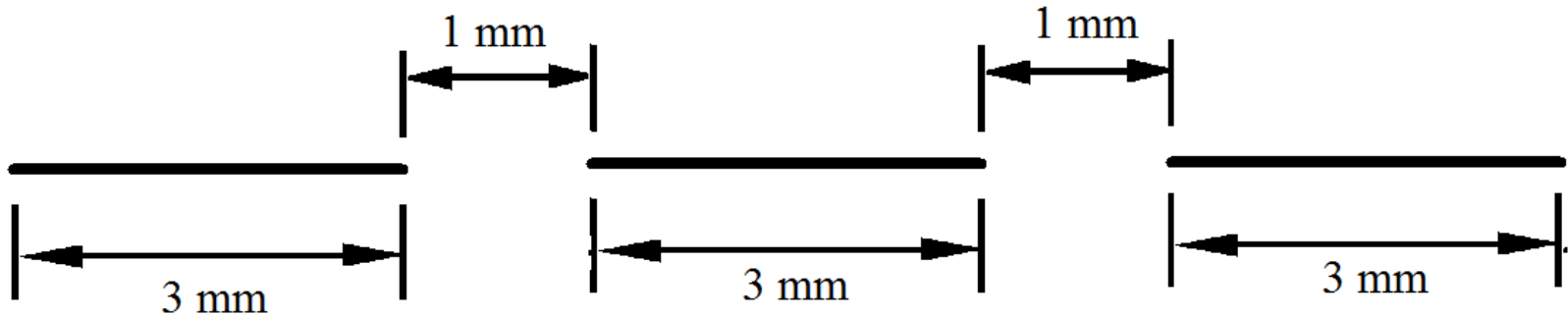
- Object Line : 100% thick
- Hidden Line: 50% thick
- Dimension, Extension Line: 25% thick
- Center Line : 50% thick
- Cutting Plane Line : 125% thick
- Hatchet line :25% thick

Object Line

Thickness: 100 %

Hidden Line

Thickness: 50 %



Center Line

Thickness: 50 %

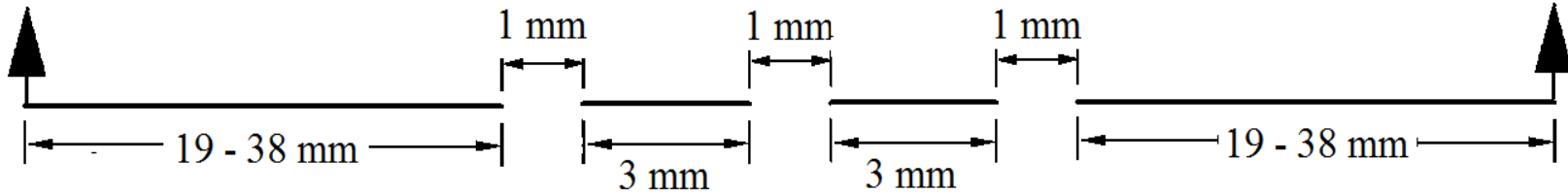
Dimension and
Extension Lines

Light
3.000

Thickness: 25 %

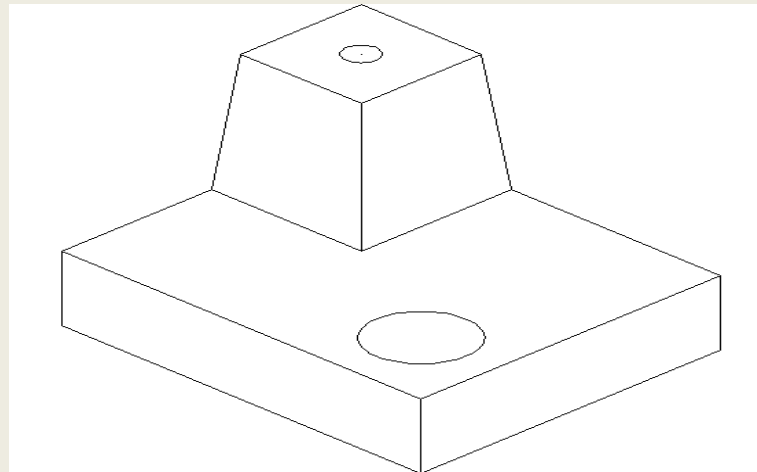
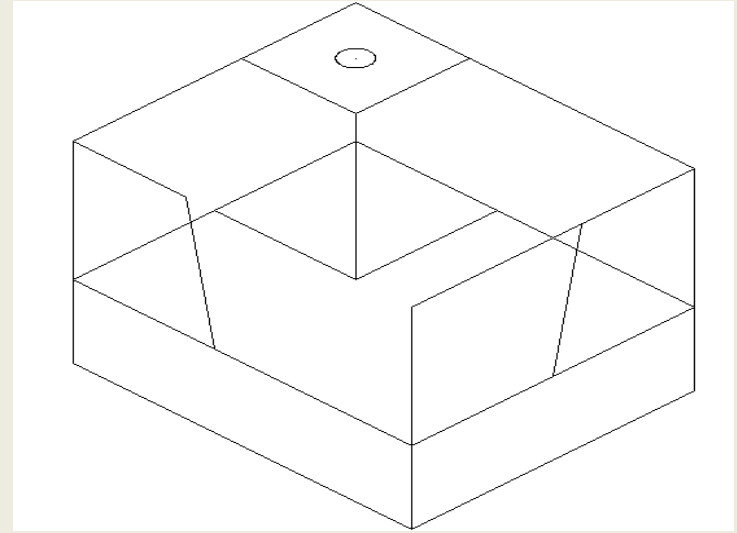
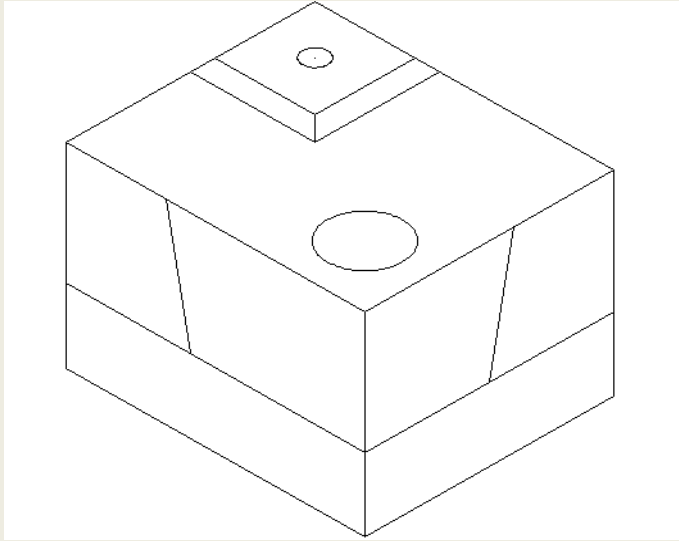
Thickness: 125 %

Section Line



N.B.: All Percentages are with respect to the object line

First Problem



Persist Until Succeed !!!